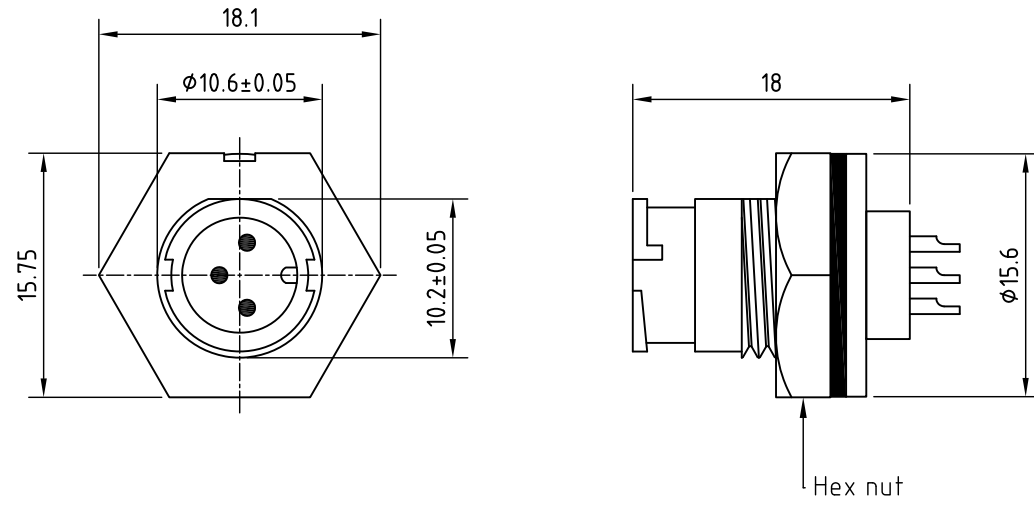


REV.	Description	Date
1	contact arrangement revise	2012/5/24



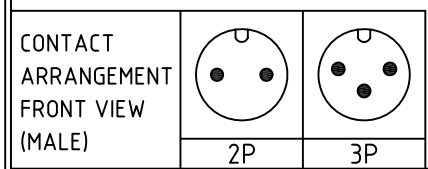
Specification of connector

General Characteristics
 Locking system : snap-in
 Termination : crimp moulded
 Shell protection : IP67

Electronical Characteristics
 Rated voltage : 250V
 Rated current : 5A
 Contact resistance : ≤ 10mΩ
 Insulation resistance : > 10M Ω

Materials
 Pin contact : brass
 Contact plating : gold
 Male insert : PA
 Nut : PA
 O-ring : rubber

RoHS
 TOLERANCE X±0.5 X.X±0.3



Unicable Co., Ltd. 國陽電業有限公司
 5F., No. 111-33, Sec. 4, San Ho Road, San Chung City, Taiwan, R.O.C.
<http://www.unicable.com.tw> TEL:+886-2-2286-2122 FAX:+886-2-2286-1010

DATE	2016/10/7	PART NO.	UT-SP207F2-XP
DWN	GINA	REV.	1
CHK			
UNIT	MM		

ITEM	CIRCULAR CONNECTOR TYPE A
------	---------------------------